



AIR QUALITY INNOVATION

WX6EC Wall Extract Fan

Model: WX6EC

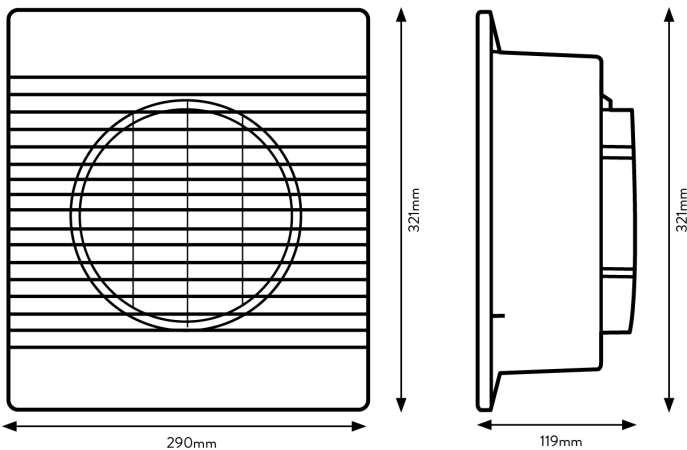
Product Type	6" / 150mm Axial Fan
Model Number	WX6EC
Model Range	Commercial Fans
Part Number	071422
Barcodes	5011139071422
Country of Origin	Ireland
Warranty Period	5 Years



Product Description

WX commercial duty wall fans are designed for pubs, restaurants, offices, kitchens, factories, schools, and shops, and are suitable for single, cavity brick and timber frame walls. The low profile white fascia is styled to blend in cleanly with commercial surroundings. This model comes complete with a wall-mounting kit which includes a corrugated plastic wall liner.

Dimensions



Technical Details

	WX6EC
No. of Speeds	1
Power (W)	10
Power Rating	120-230V, 50-60Hz
Flow rate (l/s)	60
Flow rate (m ³ /h)	217
Noise dB(A) _{3m}	36
Specific Fan Power SFP (W/L/s)	0.17
IPX Rating	IPX4
Motor Type	EC
Pullcord Operated Shutter	
Silent Electro-thermal Shutter	✓
Weight (kg)	2.9
Height (mm)	321
Width (mm)	290
Depth (mm)	119
Packed Weight (kg)	3.1
Packed Height (mm)	365
Packed Width (mm)	345
Packed Depth (mm)	185
Ti	15
Hi	4
Colour	White